



**HOUSTON
RADAR**

PD300

OEM FMCW Radar

PD300 is a state of the art FMCW **milli-power** radar designed for presence indication, volume and occupancy measurements on the roads with up to 6 lanes of detection. It is the **premier product** in its class available in the world. Typical applications include ground loop replacement, multi-lane traffic counters, mid-block detectors, vehicle actuated signals and intrusion detectors.

Features and Benefits

- World's smallest and lowest power usage ranging FMCW radar. At 0.18 Watts, it requires 10X to 20X less power than competing products.
- Simultaneously tracks up to six targets within a range of 120ft (37m).
- Up to 6 user-configurable lanes allows for maximum detection flexibility
- Unmatched range resolution down to 0.25 inch (0.63cm)¹.
- Highway & intersection optimized modes allow variety of applications.
- Six trigger outputs can be mapped to any combination of lanes.
- Companion Windows application provides intuitive GUI to set all configuration parameters and display real time plots of the targets.
- Wide input voltage range and low power simplifies solar operation.
- Firmware "boot loader" allows for field upgrading of the firmware.
- 100% built-in self-test for high confidence.
- IO break-out board available for quick evaluation.
- Built-in statistics storage memory for stand-alone data gathering.
- Full industrial temperature range. Potted for high reliability.
- FCC pre-approved with CE mark.

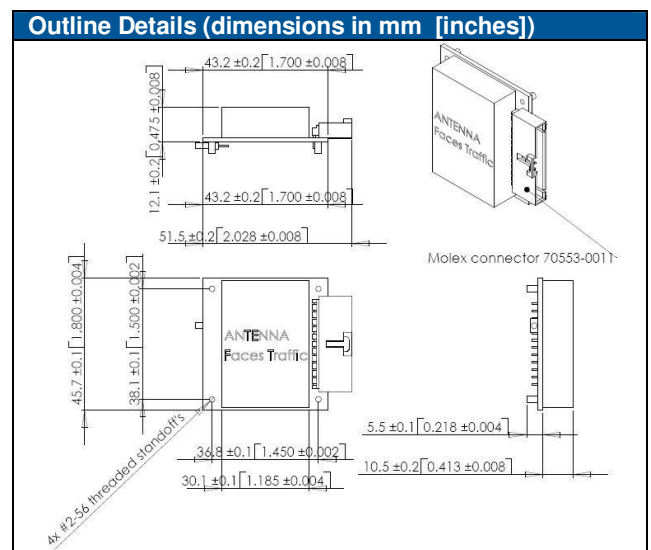


Open Frame PD300

Weatherproof PD300

Specifications & Recommended Operating Conditions	
Specification	Recommended Condition
Vcc	5.5V to 18VDC (21V max)
Icc@12VDC	15 mA (0.18 Watts) average
RF Power	5 mW maximum
Occupied Band	24.020 GHz to 24.230 GHz
Modulation Type	Frequency with linear ramp
Operating °F (°C)	-40 (-40) min to 185 (85) max
Pickup Distance	120 feet in highway mode 80 feet in intersection mode
Beam Angle	38°x45°
Beam Polarization	Linear
Trigger outputs	150 mA max, 28VDC max
Minimum Setback	6 feet (1.8m) in highway mode 4 feet (1.2m) intersection mode
Update rate	160 times/second
Certification	FCC (TIAPD300) & CE Mark
Dimensions	Open frame 1.75Wx1.7Hx0.5D" (44x42x12 mm)
	Boxed 1.9Wx2.1Hx0.9D" (4.5x4.8x2.4cm)
Weight	0.05Kg (0.1 lbs) approx

Connector Pin #	Function
1	GND
2	Do not connect
3	Trigger "open drain" output #6 ²
4	Trigger "open drain" output #5 ²
5	Trigger "open drain" output #4 ²
6	Trigger "open drain" output #3 ²
7	Trigger "open drain" output #1
8	Trigger "open drain" output #2
9	RS232 Transmit (TX) from radar
10	RS232 Receive (RX) into radar
11	VCC
12	GND



1. Not achievable under all conditions. See user manual for more details.
 2. Trigger outputs 3 through 6 only in hardware manufactured after Aug 2011 (Serial #'s 1108xxxx and later)



**HOUSTON
RADAR**

© 2005 to 2010 Houston Radar, LLC.,
 13814 Sherburn Manor Dr. • Cypress, Texas 77429
<http://www.houston-radar.com>
 Toll free 1-888-602-3111