



Field Interface Box

For SpeedLane Pro

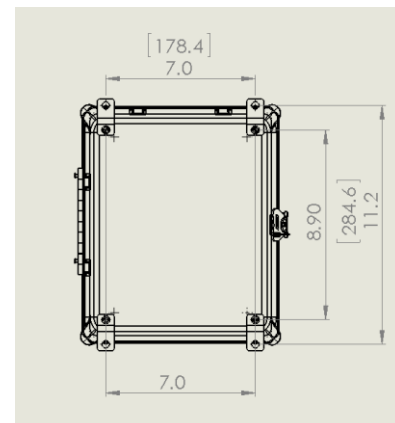
Wall or pole mount NEMA 4X enclosure assembly with AC power, lightning and surge protection for SpeedLane Pro radars. All circuits surge protected and provided with DIN rail field screw termination for easy access.

Features and Benefits

- Non-corrosive, non-conductive and light weight with lower installation cost
- Metal Snap Latch Hinged Solid/Opaque Cover
- 3-Stage individual protection circuits for RS-422/485 data lines and 12VDC power supply for radar
- Surge protected AC input with overcurrent circuit breaker protection
- Capable of Full or Half Duplex RS-422/485 communication
- Enclosure Certifications: CSA-C22.2 No. 14 and CSA C22.2 No. 94 Types 1, 2, 3, 3R, 4, 4X, 12 and 13; File No. 89590



Specifications & Recommended Operating Conditions	
Specification	Recommended Condition
Cover Type	Metal Snap Latch Hinged Solid/Opaque Cover
Brand	AM Series JIC Sizes
Dimensions	10.14"x8.26"x4"
Volume	346 cu. in
Weight	5 lb.
IP Rating	IP66
Enclosure Standards	UL 508A, UL 50 and UL 50E Types 1, 2, 3, 3R, 4, 4X, 12 and 13; File No. E120175
Complies with	EN / IEC 60204-1 and 60529 Type IP66 RoHS directive
AC Input Voltage	100-120 VAC 0.5A
DC Output Voltage	12 V 1.5A
Surge Rating	1KV



Subject to change in final product. Contact us for details



© 2005 to 2014 Houston Radar LLC
12818 Century Drive, Stafford, TX 77477
<http://Houston-radar.com>
Toll Free: 1-888-602-3111

Wiring Diagram (Half Duplex Connection)



Cable Type	Terminal	Wire Color	Description
120v A/C	Black	Black	LINE(HOT)
	White	White	NEUTRAL
	Green/Yellow	Green	GND
Up to 3,000ft. Field wire (Yellow&White) (Orange&Grey)	Yellow	Yellow	RS485 DATA+
	White	White	RS485 DATA-
	Orange	Orange	No Connect
	Grey	Grey	Common
SpeedLane M12 12wire Cable	Red	Pink	Vin
	Black	Black	GND
	Blue	Blue	RS485 DATA+
	Green	Brown	RS485 DATA-

